

# MAGNETIC WHITEBOARDS



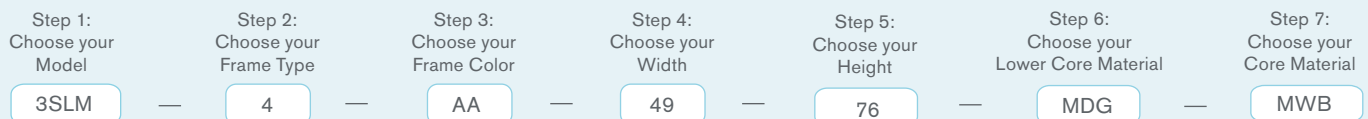
## MOBILE PORCELAIN STEEL DRY ERASE

Magnetic Whiteboards utilize a European design and are engineered to be light weight, easy to move, and durable. Our Portable Magnetic Whiteboards are made from Porcelain Steel and are Double-sided/Reversible. They can be used in conference rooms, training rooms, meeting rooms, private offices, and at workstations as a portable privacy partition or a rolling cubical door.

- The frame is constructed using our proprietary aluminum extrusion
- Each unit includes our stylish Euro-Cast metal mobile feet with 3" locking dual casters
- Dry Erase surface is double sided magnetic Porcelain Steel. Non-ghosting and compatible with any dry erase or wet erase marker
- Nesting design allows for units to be nested together for space-saving storage



### How to build your SKU:



## MAGNETIC WHITEBOARD

Model	Frame Type	Frame Color	Width	Height	Lower Core Material	Core Material
2XMM Charter™	4 4 Wheel	AA Satin Aluminum	37"	66"	MDG Folkstone Grey	MWB Magnetic Porcelain Steel - Double sided writing surface
3MMM Frontage™	3 3 Wheel	20 Pewter	49"	76"	FRO Frosted Acrylic	
3SLM Annex™	F Freestanding		61"		F_ Fabric-Tackable (Both Sides)	
2SLM Veranda™			73"		CFRO Colored Frosted Acrylic	
					LAM Laminates & Wood Grains	

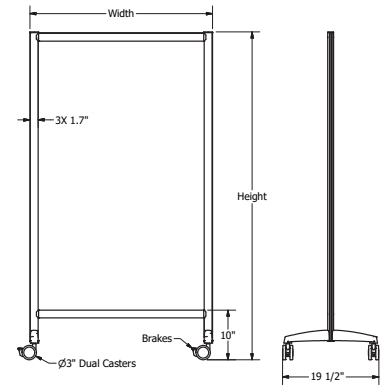
# CHARTER™ MAGNETIC PORCELAIN WHITEBOARD



**CHARTER™**  
(Model 2XMM)

Standard Widths	Standard Heights	Core Material	
		MWB	Weight
37"	66"	\$1,490	56
37"	76"	\$1,530	65
49"	76"	\$2,065	83

\*Full Core Model  
Uses General Accessories  
NOTE: Pricing in USD



## Accessories Available for 2XMM (Sold Separately)

Flip Chart Clip Set



FCC

\$30

Universal Hinge Kit Mobile Office Partitions



HGEUM

\$60

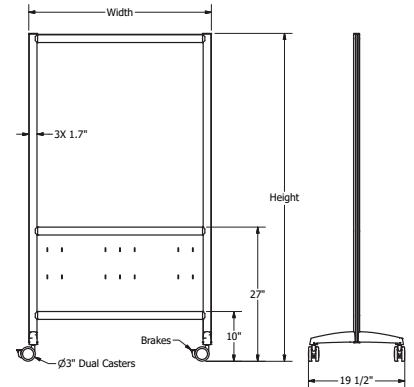
# FRONTAGE™ MAGNETIC PORCELAIN WHITEBOARD



**FRONTAGE™**  
(Model 3MMM)

Standard Widths	Standard Heights	Core Material	
		MWB	Weight
37"	66"	\$1,380	53
37"	76"	\$1,420	61
49"	76"	\$1,665	78

\*Organizational Core Model  
Uses M-Series Accessories (Accessories not included)  
NOTE: Pricing in USD



## Accessories Available for 3MMM (Sold Separately)

Flip Chart Clip Set



FCC

\$30

Universal Hinge Kit Mobile Office Partitions



HGEUM

\$60

Marker Tray - M-Series



M-WBTR

\$65

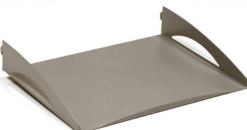
Pencil Cup - M-Series



M-PTH

\$42

Letter Tray - M-Series



M-LTH

\$48

# ANNEX™ MAGNETIC PORCELAIN WHITEBOARD



ANNEX™  
(Model 3SLM)

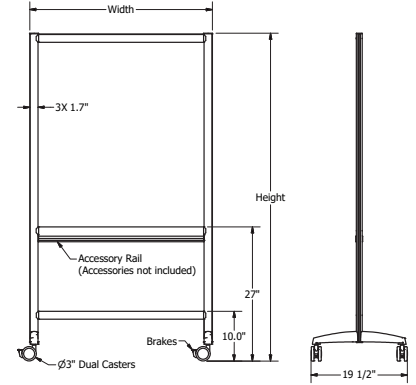
Upper Core Materials  
MWB - Magnetic Whiteboard

Widths	Heights	Lower Core Materials					Weight
		MDG	FRO	F__	CFRO	LAM	
37"	66"	\$1,295	\$1,320	\$1,320	\$1,360	\$1,360	46
37"	76"	\$1,335	\$1,360	\$1,360	\$1,400	\$1,400	55
49"	76"	\$1,575	\$1,610	\$1,610	\$1,655	\$1,655	69
61"	76"	\$2,000	\$2,030	\$2,030	\$2,095	\$2,095	84

\*Lower Accessory Rail Model  
The top of the center rail is 27" off the floor  
Uses S-Series Accessories (Accessories not included)  
NOTE: Pricing in USD

## Accessories Available for 3SLM (Sold Separately)

Accessories Available for 3SLM (Sold Separately)	SKU	Price
 <p>Flip Chart Clip Set</p>	FCC	\$30
 <p>Universal Hinge Kit Mobile Office Partitions</p>	HGEUM	\$60
 <p>Marker Tray - S-Series</p>	S-WBTR	\$65
 <p>Letter Tray - S-Series</p>	S-LTT	\$50
 <p>Legal Tray - S-Series</p>	S-LGT	\$55
 <p>Accessory Tray S-Series</p>	S-AT	\$40
 <p>Pen Cup</p>	S-PC	\$25



# VERANDA™ MOBILE MAGNETIC WHITEBOARD



VERANDA™  
(Model 2SLM)

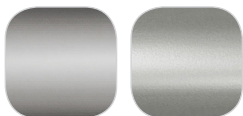
		Core Material		
Standard Widths	Standard Heights	MWB	Weight	
37"	66"	\$1,105	43	
37"	76"	\$1,145	52	
49"	76"	\$1,340	66	
61"	76"	\$1,670	80	

\*Easel Accessory Rail Model  
The top of the center rail is 37" off the floor  
Uses S-Series Accessories (Accessories not included)  
NOTE: Pricing in USD

Accessories Available for 2SLM (Sold Separately)	SKU	Price
--	-----	-------

Flip Chart Clip Set		FCC	\$30
Universal Hinge Kit Mobile Office Partitions		HGEUM	\$60
Marker Tray - S-Series		S-WBTR	\$65
Letter Tray - S-Series		S-LTT	\$50
Legal Tray - S-Series		S-LGT	\$55
Accessory Tray S-Series		S-AT	\$40
Pen Cup		S-PC	\$25

## FRAME COLORS



AA

20

Pewter

## CORE MATERIAL



MWB

Magnetic Whiteboard

Double-sided writing surface

## LOWER CORE MATERIALS (3SLM MODEL ONLY)



MDG

Folkstone Grey

FRO

Frosted Acrylic

F

Fabric-Tackable  
(Both Sides)

CFRO

Colored Frosted  
Acrylic

LAM

Laminates and  
Wood Grains