

STUDIO™ PANEL & WING



FRAMELESS DESK DIVIDERS

Are an easy and economical way to add privacy to existing workstations or for turning freestanding tables into custom cubicles, study carrels or call center stations. Our Desk Dividers come in a wide range of sizes and finish options, making it easy to create a custom configuration to fit the size and look of your current space.



- Frosted Acrylic .2" thick with smooth edges
- Rubber pads on the Clamp & Support Foot protect your desk and hold product in place
- Quickly clamps onto tables and can be easily installed and uninstalled
- Clamp & Support Foot can be reversed for clamping onto the front or back of a table
- Clamps are heavy gauge steel with a powder coated finish
- Part of our Quick Ship Program, they come in set sizes for easy ordering at affordable prices

How to build your SKU:

Step 1:
Choose your
Model

FROP

Step 2:
Choose your
Width

23

Step 3:
Choose your
Height

12

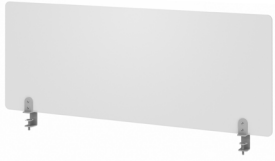
STUDIO™ PANEL

Model	Width	Height
FROP Studio™ Panel	47" 60" 72"	12" 18"

STUDIO™ WING

Model	Width	Height
FROW Studio™ Wing	17" 23" 29"	12" 18"

STUDIO™ PANEL



STUDIO™ PANEL
(Model FROP)

Standard Widths	Standard Heights	Model #	FRO	# of Clamps	Weight
47"	12"	FROP-	\$173	2	6
47"	18"	FROP-	\$249	2	9
60"	12"	FROP-6012	\$257	3	8
60"	18"	FROP-	\$301	3	11
72"	12"	FROP-7212	\$324	3	9
72"	18"	FROP-	\$417	3	13

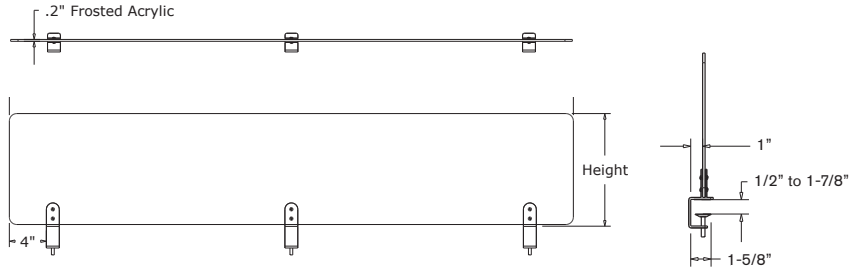
Clamp onto tables from 1/2" to 1-7/8" thick

Frosted Acrylic .2" thick with smooth edges

Part of our Quick Ship Program, which ships product in 3 days from order & payment receipt

NOTE: Pricing in USD

*This product requires a minimal amount of open space under desk. If you have questions, please contact customer service.



STUDIO™ WING



STUDIO™ WING
(Model FROW)

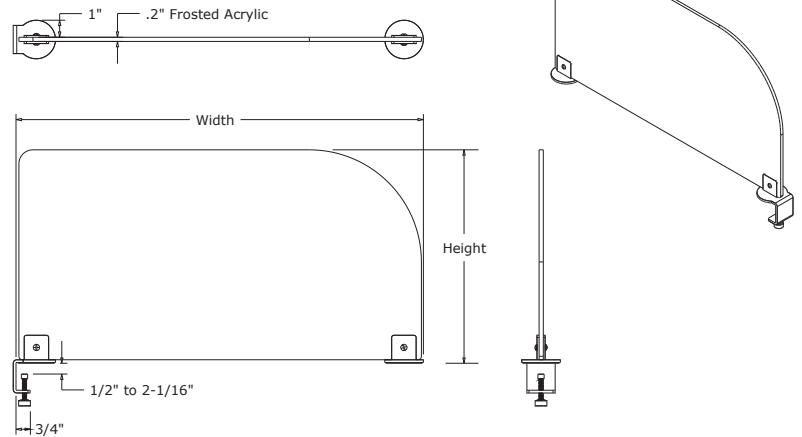
Standard Widths	Standard Heights	Model #	FRO	Weight
17"	12"	FROW-1712	\$88	3
17"	18"	FROW-1718	\$131	4
23"	12"	FROW-2312	\$112	4
23"	18"	FROW-2318	\$160	5
29"	12"	FROW-2912	\$121	4
29"	18"	FROW-2918	\$192	6

Clamp onto tables from 1/2" to 2-1/16" thick

Clamp & Support Foot can be reversed for clamping onto the front or back of a table

Part of our Quick Ship Program, which ships product in 3 days from order & payment receipt
NOTE: Pricing in USD

*This product requires a minimal amount of open space under desk. If you have questions, please contact customer service.



CORE MATERIAL



FRO
Frosted Acrylic