

TRUBRITE™ WHITEBOARDS



MOBILE DRY ERASE

Mobile Whiteboards and Partitions are engineered to be durable, light weight and easy to move. Our Whiteboard surfaces are non-ghosting and designed for high usage. Our Mobile Whiteboards can be used in conference rooms, school class rooms, training rooms, meeting rooms, private

- The frame is constructed using our proprietary aluminum extrusion
- Each unit includes our stylish metal mobile feet with 3" locking dual casters
- Dry Erase surface is non-ghosting and compatible with any dry erase, wet erase, permanent marker, grease pen, etc.
- Nesting design allows for units to be nested together for space-saving storage
- Whiteboard and fabric cores are constructed using a sound absorbing material to reduce noise levels.
- Made in the USA

How to build your SKU:

Step 1: Choose your Model	Step 2: Choose your Frame Type	Step 3: Choose your Frame Color	Step 4: Choose your Width	Step 5: Choose your Height	Step 6: Choose your Lower Core Material	Step 7: Choose your Core Material
3SL	3	01	37	62	MDB	WB

MOBILE WHITE BOARD

Model	Frame Type	Frame Color	Width	Height	Lower Core Material	Core Material
2XM Charter™	4 4 Wheel	AA Satin Aluminum	30"	48"	MDG Folkstone Grey	WB Whiteboard (Both Sides)
3MM Frontage™	3 3 Wheel	20 Pewter	37"	54"	WB Whiteboard	Whiteboard (Side 1)/Fabric (Side 2)
3SL Annex™	2F 2 Wheels-1 Foot F Freestanding		42"	62"	FRO Frosted Acrylic	WB/F_ Whiteboard (Side 1) / Fabric (Side 2)
			49"	72"	WB/F_ Whiteboard (Side 1) / Fabric (Side 2)	
			61"		F_ Fabric-Tackable (Both sides)	
			73"		CFRO Colored Frosted Acrylic LAM Laminates & Wood Grains	

CHARTER™ TRUBRITE™ MOBILE WHITEBOARD

Core Materials



CHARTER™
(Model 2XM)

*Full Core Model
Uses General Accessories
NOTE: Pricing in USD

Standard Widths	Standard Heights	WB	Weight
30"	48"	\$715	18
30"	54"	\$735	20
30"	62"	\$1,080	22
30"	72"	\$1,125	25
37"	48"	\$810	21
37"	54"	\$835	23
37"	62"	\$1,120	25
37"	72"	\$1,165	29
42"	48"	\$860	23
42"	54"	\$885	25
42"	62"	\$1,145	27
42"	72"	\$1,185	31
49"	48"	\$895	25
49"	54"	\$920	28
49"	62"	\$1,180	31
49"	72"	\$1,225	35

Accessories Available for 2XM (Sold Separately)

Flip Chart Clip Set



FCC

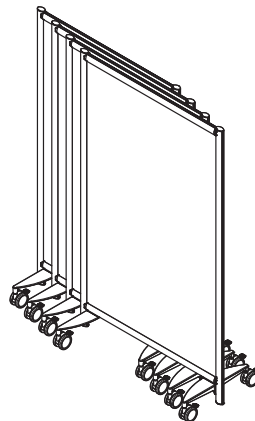
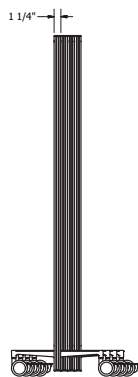
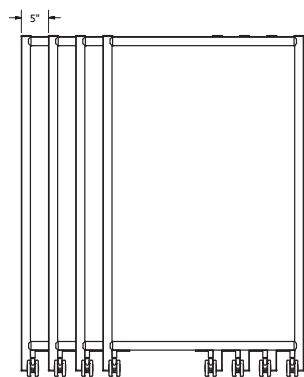
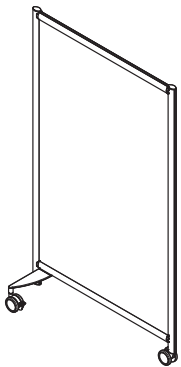
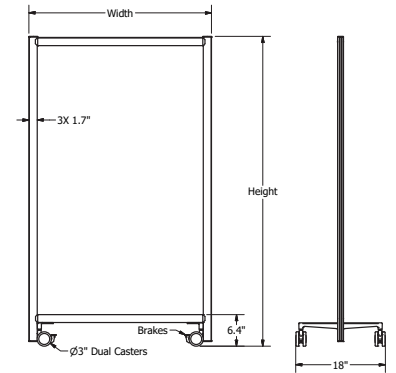
\$30

Universal Hinge Kit Mobile Office Partitions



HGEUM

\$60



ANNEX™ TRUBRITE™ MOBILE WHITEBOARD



ANNEX™
(Model 3SL)

*Lower Accessory Rail Model
The top of the center rail is 23-1/2"
off the floor
Uses S-Series Accessories
(Accessories not included)
NOTE: Pricing in USD

Widths	Heights	Upper Core Material WB - Both Sides								Upper Core Materials WB (Side 1) / F__ (Side 2)						Weight
		Lower Core Materials								Lower Core Materials						
		MDG	WB	FRO	WB/F__	F__	CFRO	LAM	MDG	WB	FRO	WB/F__	F__	CFRO	LAM	
37"	54"	\$955	\$955	\$980	\$980	\$980	\$1,020	\$1,020	\$1,005	\$1,005	\$1,030	\$1,030	\$1,030	\$1,070	\$1,070	25
37"	62"	\$1,050	\$1,050	\$1,075	\$1,075	\$1,075	\$1,115	\$1,115	\$1,100	\$1,100	\$1,125	\$1,125	\$1,125	\$1,165	\$1,165	27
37"	72"	\$1,090	\$1,090	\$1,115	\$1,115	\$1,115	\$1,155	\$1,155	\$1,145	\$1,145	\$1,170	\$1,170	\$1,170	\$1,210	\$1,210	31
49"	54"	\$1,050	\$1,050	\$1,080	\$1,080	\$1,080	\$1,125	\$1,125	\$1,105	\$1,105	\$1,135	\$1,135	\$1,135	\$1,180	\$1,180	30
49"	62"	\$1,175	\$1,175	\$1,205	\$1,205	\$1,205	\$1,250	\$1,250	\$1,240	\$1,240	\$1,270	\$1,270	\$1,270	\$1,315	\$1,315	33
49"	72"	\$1,225	\$1,225	\$1,255	\$1,255	\$1,255	\$1,300	\$1,300	\$1,305	\$1,305	\$1,335	\$1,335	\$1,335	\$1,380	\$1,380	38
61"	54"	\$1,515	\$1,515	\$1,545	\$1,545	\$1,545	\$1,610	\$1,610	\$1,560	\$1,560	\$1,590	\$1,590	\$1,590	\$1,655	\$1,655	36
61"	62"	\$1,550	\$1,550	\$1,580	\$1,580	\$1,580	\$1,645	\$1,645	\$1,600	\$1,600	\$1,630	\$1,630	\$1,630	\$1,695	\$1,695	39
61"	72"	\$1,605	\$1,605	\$1,635	\$1,635	\$1,635	\$1,700	\$1,700	\$1,665	\$1,665	\$1,695	\$1,695	\$1,695	\$1,760	\$1,760	44
73"	54"	\$1,590	\$1,590	\$1,630	\$1,630	\$1,630	\$1,715	\$1,715	\$1,665	\$1,665	\$1,705	\$1,705	\$1,705	\$1,790	\$1,790	41
73"	62"	\$1,635	\$1,635	\$1,675	\$1,675	\$1,675	\$1,760	\$1,760	\$1,720	\$1,720	\$1,760	\$1,760	\$1,760	\$1,845	\$1,845	46
73"	72"	\$1,690	\$1,690	\$1,730	\$1,730	\$1,730	\$1,815	\$1,815	\$1,785	\$1,785	\$1,825	\$1,825	\$1,825	\$1,910	\$1,910	51

Accessories Available for 3SL (Sold Separately)

Flip Chart Clip Set



SKU

FCC

252tPrice

\$30

Universal Hinge Kit Mobile Office Partitions



HGEUM

\$60

Marker Tray - S-Series



S-WBTR

\$65

Letter Tray - S-Series



S-LTT

\$50

Legal Tray - S-Series



S-LGT

\$55

Accessory Tray S-Series



S-AT

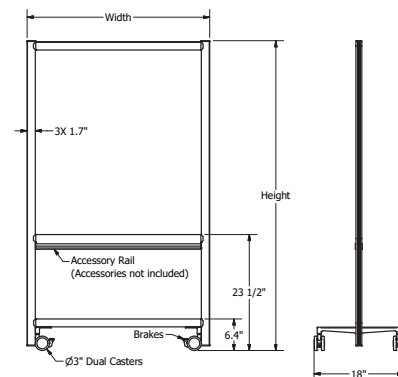
\$40

Pen Cup



S-PC

\$25



FRONTAGE™ TRUBRITE™ MOBILE WHITEBOARD

Core Materials



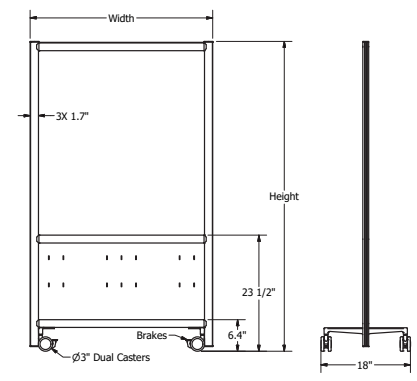
FRONTAGE™
(Model 3MM)

*Organizational Core Model
Uses M-Series Accessories
(Accessories not included)
NOTE: Pricing in USD

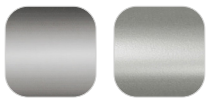
Standard Widths	Standard Heights	WB	WB/F__	Weight
37"	48"	\$920	\$955	26
37"	54"	\$1,020	\$1,070	28
37"	62"	\$1,115	\$1,165	31
37"	72"	\$1,160	\$1,215	34
49"	48"	\$1,045	\$1,095	32
49"	54"	\$1,120	\$1,175	35
49"	62"	\$1,250	\$1,315	38
49"	72"	\$1,295	\$1,375	42

Accessories Available for 3MM (Sold Separately)

	SKU	Price
Flip Chart Clip Set	FCC	\$30
Universal Hinge Kit Mobile Office Partitions	HGEUM	\$60
Marker Tray - M-Series	M-WBTR	\$65
Pencil Cup - M-Series	M-PTH	\$42
Letter Tray - M-Series	M-LTH	\$48



FRAME COLORS



AA Satin Aluminum
20 Pewter

CORE MATERIALS



WB Whiteboard (Both Sides)
WB/F__ Whiteboard (Side 1) / Fabric (Side 2)

LOWER CORE MATERIALS (3SL MODEL ONLY)



MDG Folkstone Grey
WB Whiteboard (Both Sides)
FRO Frosted Acrylic
WB/F__ Whiteboard (Side 1) / Fabric (Side 2)
F__ Fabric-Tackable
CFRO Colored Frosted Acrylics
LAM Laminates and Wood Grains